

SW-LR/ID-P

Smart Weighing Scale

TOTAL WEIGHING SOLUTION™



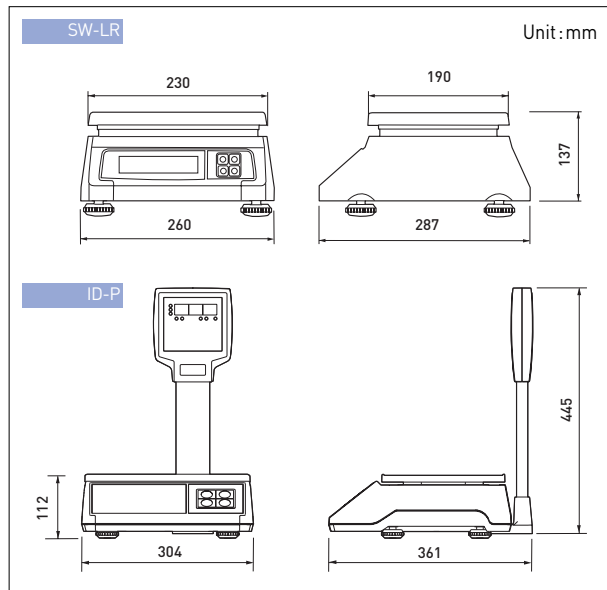
SW-LR ▲

ID-P ▲

SPECIFICATIONS

Model	SW-LR / ID-P				
Max.capacity	1/2kg	2.5/5kg	4/10kg	10/20kg	15/30kg
Readability	0.5/1g	1/2g	2/5g	5/10g	5/10g
Maximum tare	-0.9995	-2.499	-3.998	-9.995	-14.995
Internal resolution	1/60,000				
External resolution	1/2,000 ~ 1/3,000				
Display digit	6 Digit				
Display type	LED				
Operating temperature	-10°C ~ 40°C				
Power	Rechargeable battery 12V DC adapter				
Battery life	SW-LR:10 / ID-P:30hrs after recharging the battery				
Platter size (mm)	SW-LR:230(W) x 190(D)		ID-P:293(W) x 218(D)		
Dimensions (mm)	SW-LR:260(W)x287(D)x137(H)		ID-P:320(W)x361(D)x444(H)		
Product weight	SW-LR:2.8kg		ID-P:5.5kg		

DIMENSIONS



CAS

CAS BLDG., # 440-1, SUNGNAE-DONG,
GANGDONG-GU, SEOUL, KOREA

TEL_ 82 2 2225 3500

FAX_ 82 2 475 4668

<http://www.globalcas.com>

Specifications are subject to change for improvement without prior notice.

2008.03

RETAIL WEIGHING SOLUTION™



Dual interval technology



Rear display



Battery operation

SW SERIES

Smart Weighing Scale

- Battery Operation
- Compact Design & Easy Operating
- 25mm LCD Display
- Limit Function
- Counting Function



CAS

SW-1W/1WR

Smart Weighing Scale



SPECIFICATIONS

Model	SW-1W/1WR				
Max.capacity	1/2kg	2.5/5kg	4/10kg	10/20kg	15/30kg
Readability	0.5/1g	1/2g	2/5g	5/10g	5/10g
Maximum tare	-0.9995	-2.499	-3.998	-9.995	-14.995
Internal resolution	1/60,000				
External resolution	1/2,000 ~ 1/3,000				
Display digit	5 Digit (SW-1W), 6 Digit (SW-1WR)				
Display type	LCD (SW-1W), LED (SW-1WR)				
Operating temperature	-10℃ ~ 40℃				
Power	Dry battery (D type x 6ea) or 9V DC adapter 9V DC adapter (SW-1W only) Pb battery, 12V DC adapter (SW-1WR only)				
Battery life	Approx. 400hours or 800hours (Alkaline battery) Approx. 30hours (SW-1WR)				
Platter size (mm)	247(W) x 195(D)				
Dimensions (mm)	278(W) x 317(D) x 141(H)				
Product weight	3.7kg				

SW-1S/1C

Smart Weighing Scale



SPECIFICATIONS

Model	SW-1S/1C				
Max.capacity	1/2kg	2.5/5kg	4/10kg	10/20kg	15/30kg
Readability	0.5/1g	1/2g	2/5g	5/10g	5/10g
Maximum tare	-0.9995	-2.499	-3.998	-9.995	-14.995
Internal resolution	1/60,000				
External resolution	1/2,000 ~ 1/3,000				
Display digit	5 Digit				
Display type	LCD				
Operating temperature	-10℃ ~ 40℃				
Power	Dry battery (D type x 6ea) or 9V DC adapter Pb battery				
Battery life	Approx. 400hours or 800hours (Alkaline battery)				
Platter size (mm)	230(W) x 190(D)				
Dimensions (mm)	260(W) x 287(D) x 137(H)				
Product weight	2.8kg				

1/2,000~1/3,000 dual interval resolution for better accuracy

- The SW-1W/1WR adopts dual interval technology, allowing for an automatic change of the SW-1W/1WR interval for an even more precise reading.



Dust & Waterproof digital scale (Level IP 66)

- The SW-1W/1WR can be protected from water, dirt and other external agents.



1/2,000~1/3,000 dual interval resolution for better accuracy

- The SW-1S/1C adopts dual interval technology, allowing for an automatic change of the SW-1S/1C interval for an even more precise reading.



Clear and Highly legible LCD display

- SW-1 Series has a 25mm large LED display and uses 6 highly legible digits.



Rechargeable Battery operation (SW-1WR only)

- The SW-1WR can be used for up to 30 hours after charging the battery.



Clear and Highly legible LED display (SW-1WR only)

- SW-1WR Series has a 19mm LED display and uses 6 highly legible digits.



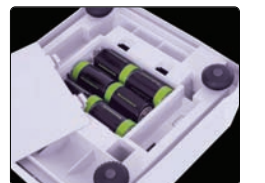
Accurate counting function (SW-1C only)

- The SW-1C has a simple counting and limit function for quality product management. It is great for use in manufacturing, parts shops, hardware stores etc.

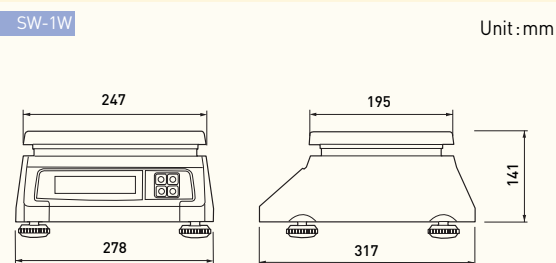


Used anywhere with battery power

- SW Series is operated by an AC adapter or alkaline batteries. Its compact design is great for use anywhere.



DIMENSIONS



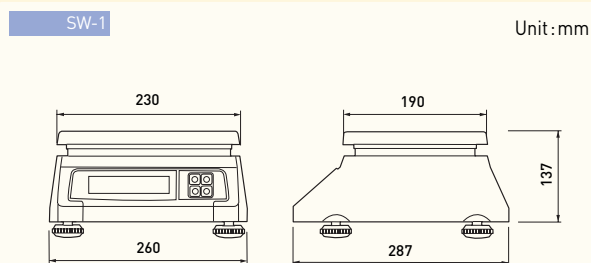
OPTIONS

- Rear display (Dual display)
- 9V DC adapter (SW-1W only)
- 12V DC adapter (SW-1WR only)



Adapter can be different for each country *

DIMENSIONS



OPTIONS

- Rear display (Dual display)
- AC adapter (9V/300mA)
- Stainless steel platter / Fish tray
- Dust protection cover



Fish tray ▲

Stainless steel platter ▲